

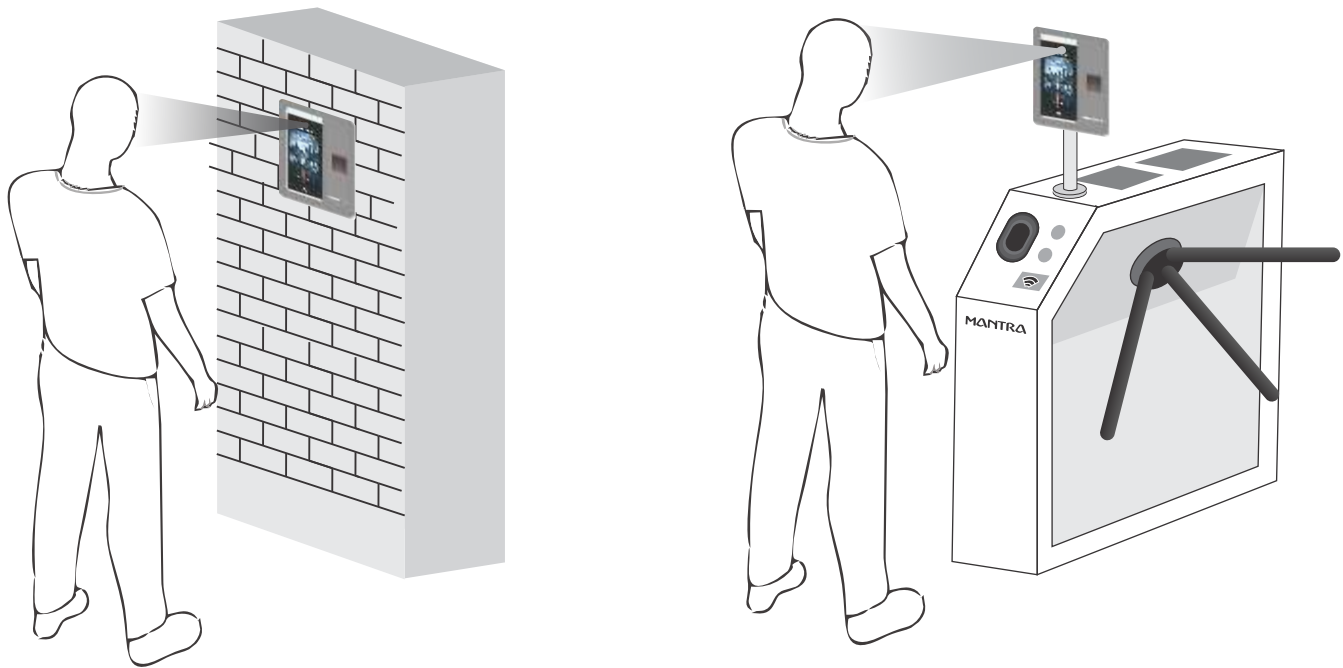
MANTRA

BioNIC FP9



This industrial multimodal terminal is built with face & optical finger sensors to serve industrial use cases powered by the most advanced facial and finger matching engine. The terminal can serve multiple industrial use cases such as visitors, attendance, access control and canteen management.

www.mantratec.com



Applications

- ◆ Machine variants offer multimodal biometrics, including facial & fingerprint modalities added by smart card interface to perform various types of authentication and matching requirements.
- ◆ Advance AI-based facial engine along with options for optical and capacitive fingerprint interface to provide choice in technology and serving of use cases
- ◆ Built-in access control features can provide seamless integration with door locks, turnstiles, and flap barriers for authorized entry & exit to users.
- ◆ The advanced access control features can provide alarms, alerts and notifications, including the status of doors and central monitoring to achieve security needs.
- ◆ Cross-platform API interface provides effortless integration with third-party software and hardware controller over Wiegand or RS-485 or Ethernet LAN network.
- ◆ Design and engineering of machines are for attendance, access control, visitors, canteen, and access control requirements with real-time data integration and monitoring facilities.

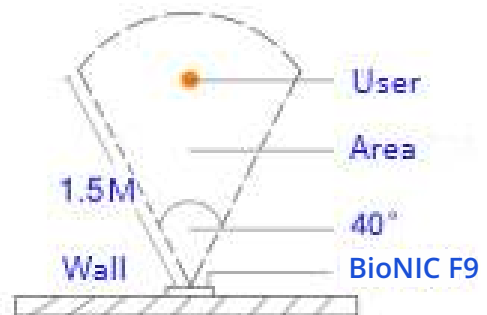
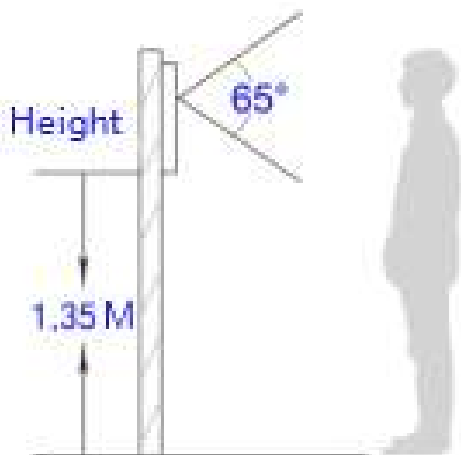
Features

- ◆ The smart terminal uses leading face detection and live recognition algorithms; under the 1W face database, the live detection + face recognition time is less than 0.25 seconds.
- ◆ The host runs the Android 11.0 operating system, and the face supports up to 50,000 face base library
- ◆ Minimum face detection 40px*40px
- ◆ Detection speed <100ms
- ◆ Tracking speed 10ms
- ◆ RGB live speed 100ms
- ◆ Near-infrared living body speed <50ms
- ◆ Body waterproof grade Ip65
- ◆ Support distance adjustment for distance recognition
- ◆ Support night time adjustment of fill light

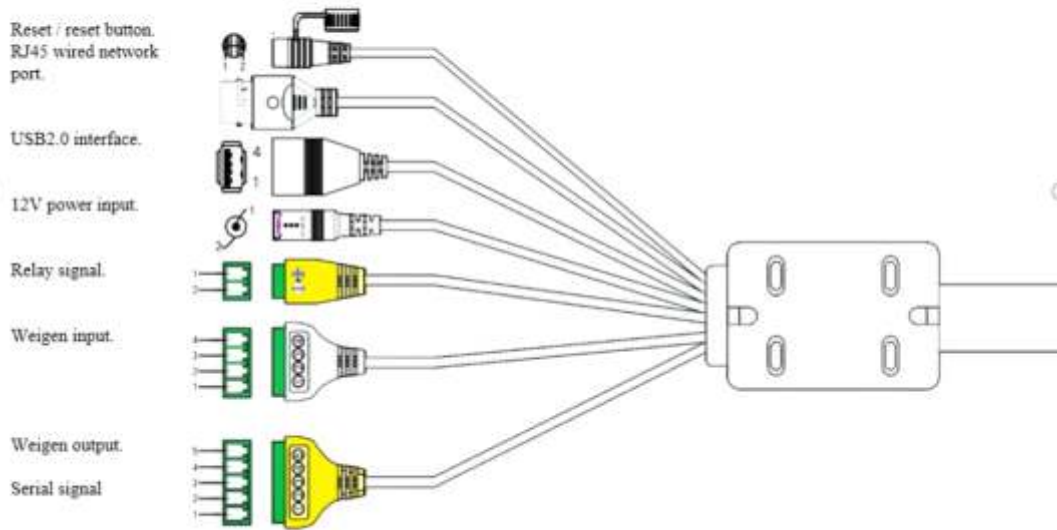
Specification	
CPU	: Quad-core, clocked at 1.8 GHz
System	: Android, multi-lingual
Camera	: 2mp Camera , RGB+IR Camera with Wide dynamic
White light fill light	: Yes
Infrared fill light	: Yes
Display screen	: 5 inches, 1280*720 resolution
Touch Screen	: capacitance support
RAM/ROM	: 4GB/32GB
Fingerprint Sensor	: 500 DPI Optical Fingerprint Sensor STQC / AADHAAR / UIDAI Certified
WIFI	: WiFi-2.4G
Bluetooth	: Bluetooth 5.0
Trumpet	: 8Ω1W
Network port	: 10/100/1000Mbps Ethernet
Power supply	: DC12V/2A
Device power	: 20W max
Wiegand	: Support Wiegand input and Wiegand output, support
USB interface	: Support access to the second-generation ID card reader
Relay interface	: COM/NO
RS232/485	: Support extended functions
Card Reader	: NFC support classic card, MiFare Classic, Mifsre Desfire etc.

Vertical Wide Angle

Horizontal Wide Angle



Definition description of external terminal for face recognition



Multi-Function Cable

PINNo.	DEFINITION	DESCRIPTION	REMARK
1	NC		
2	Rj45	Network connection	
3	USB	USB2.0	
4	power supply	DC12V2A input	Adapter or other external power supply main
5	Relay	COM and NO	
6	Wiegand input	D0 D1 GND 12V	Wiegand reader access port
7	Wiegand output	GND D0 D1	Access to the access control board or some
8	Serial signal	TX RX	Standard RS232 serial port only needs to connect
9	Rs485		

MANTRA

www.mantratec.com



B203, Shapath Hexa, Opp. Gujarat High Court,
S.G. Highway, Sola, Ahmedabad - 380060, Gujarat.



sales@mantratec.com



+91-79-49068001